

# TGPS-1500YC

## GPS Antenna

### Technical Sheet



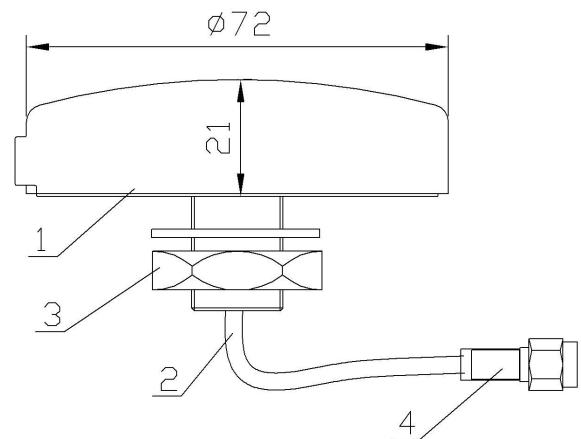
#### Features

- Operating in GPS band
- High gain, Stable performance
- Light weight, Small size
- Mounting with screw directly, Easy to mount
- UV stable radome
- Strong adaptability of environment
- The connector is with a pigtail

#### Specifications

Model	TGPS-1500YC
Freq.Range-MHz	1575.42±2
VSWR	≤2.5
Antenna Gain	4.5dBi
Amplification	≥25dB
Noise Figure	<1.5dB
Impedance-Ω	50
Voltage Supply-V	3 to 5.5
Cable(RG174)-cm	300±10 or customized
Connector	SMA male or customized
Dimensions(excluding screw)-mm	φ72×22
Weight-g	150
Mounting	Fixing with screw

#### Installation Sketch



1.antenna 2.cable 3.fixing nut 4.connector



**Kenbotong Technology Co., Ltd.**

Addr: No.2 Chanxiu Road, Foshan City, Guangdong, China. 528061

Tel:+86-757-82219788, 82126632 Fax:+86-757-82212072

Email: [kbt@kenbotong.com](mailto:kbt@kenbotong.com) Web:<http://www.kenbotong.com>